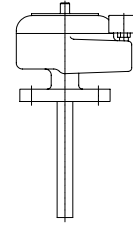


Technical Data Sheet

Temperature Controller Type 910

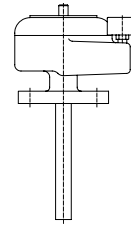


TD_910

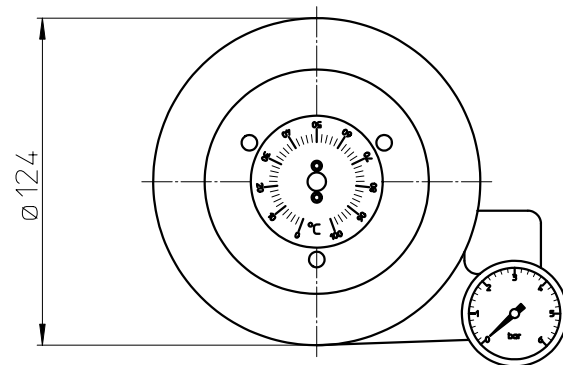
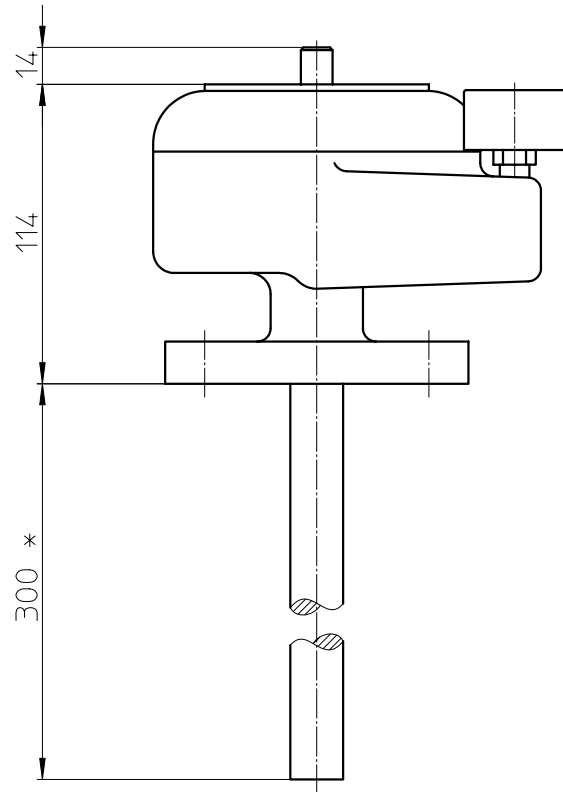
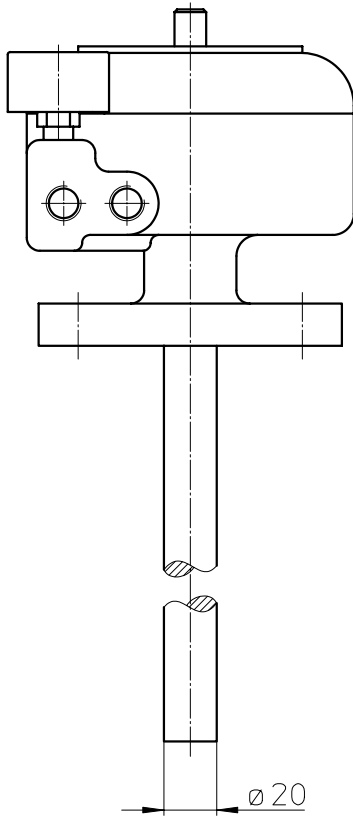
Technical Data

Mounting	By means of flanges DN 25 PN 6 up to PN16 or DN 25 PN 40 acc. to EN 1092-1 Form B1
Body material	Flanges up to PN 16 Aluminium, flanges PN 40 stainless steel
Material of heat sensor	Stainless steel + CU-sensor
Mounting position	Anyone
Temperature range	Depending on measuring range
Adjustment range	0...100 °C (start increasable from 0...150°C)
Control algorithm	P-Controller
P-Range	3 K, adjustable over the complete measuring range
Signal (input/output)	Increasing / increasing or increasing / decreasing
Flow capacity	Max. 500 Sdm ³ /h
Air supply pressure p_z	1,4 bar
Control pressure y	0,2...1 bar
Air consumption	≤ 400 Sdm ³ /h at p _z = 1,4 bar and y = 0,6 bar
Pneumatic connections	G 1/4"
Dimensions	Please refer to the dimensional drawing
Weight	App. 2,5 kg

Technical Data Sheet Temperature Controller Type 910



TD_910



*optional 500/800